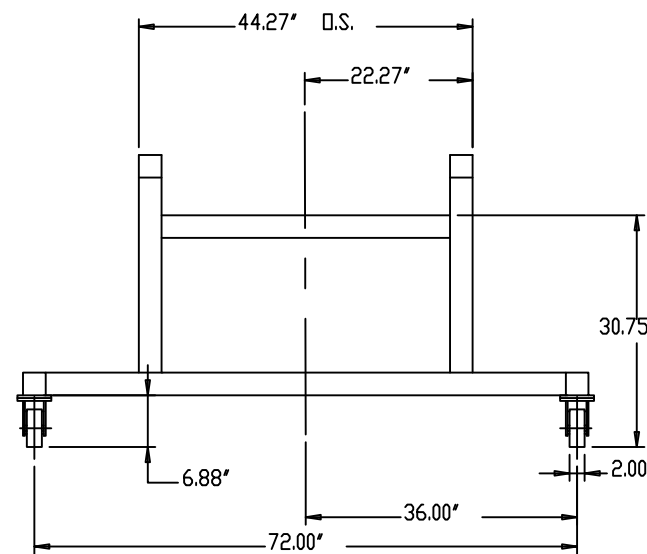
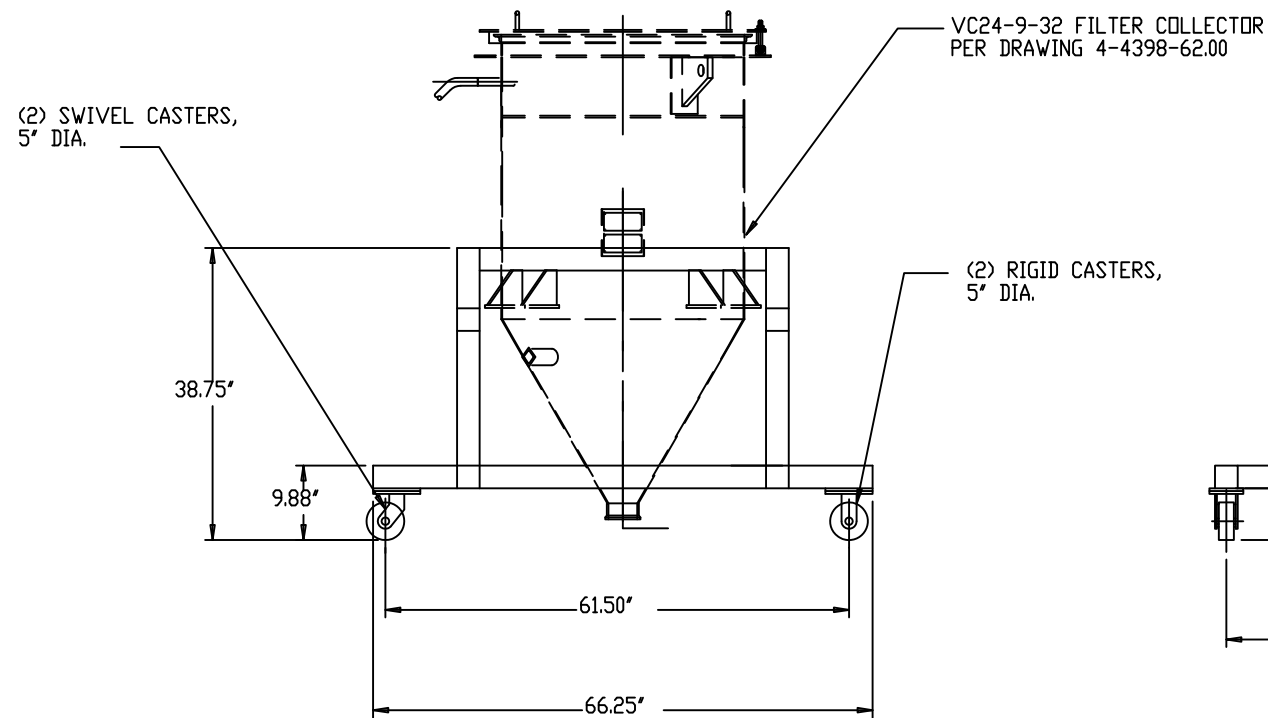


**LEGEND**

(4) FOUR PORTABLE STORAGE CARTS FOR VC24-9-32 FILTER/COLLECTOR  
 FILTER/COLLECTOR  
 MATERIAL OF CONSTRUCTION: CARBON STEEL  
 APPROX. WEIGHT (EMPTY): 500 LBS.  
 REF. Y.I. ENGINEERING SPECIFICATION 185.200:  
 WELDING \_\_\_\_\_ CLASS 1  
 GRINDING, \_\_\_\_\_ CLASS 1  
 CLEAN-UP, \_\_\_\_\_ CLASS 1

PAINTING: EXTERIOR C/S PARTS WILL BE PAINTED WITH  
 STEELCOTE STAINLESS STEEL PAINT PER Y.I.  
 ENGINEERING SPECIFICATION 082-550



CUSTOMER	--
CUST. NO.	
YOUNG ORDER NO.	13924
TITLE	ASSEMBLY - PORTABLE STORAGE CARTS FOR MODEL VC24-9-32 FILTER/COLLECTOR



GENERAL TOLERANCES	
UNLESS OTHERWISE SPECIFIED THE FOLLOWING SHALL APPLY	
MACHINING - .XX ± .02	.XXX = ±.005
ANGLE = #07	
SURFACE ROUGHNESS HEIGHT 63 MICROINCHES OR LESS	
FABRICATION - UNDER 6	6 TO 24
24 TO 60	OVER 60
.06 ±	.12 ±
.19 ±	.25 ±
UNLESS OTHERWISE SPECIFIED DIMENSIONS ARE IN INCHES	
PRINT ISSUE DATE	CAD FILE NUMBER: /ntp/data/work/13924

DRAWN BY	PAN	SCALE	1.50"=1'-0"
CHECKED BY		DATE	6/11/99
DRAWING NUMBER	3-6117-27.00		