

MORE INFORMATION & PRICING @ WWW.PIINY.COM

GOYEN RCA3D REMOTE PILOT

Remote solenoid pilot valve to control the actuation of dust collector diaphragm valves.



INSTALLATION

Prepare pilot mounting hole in panel to $\varnothing 19.3/19.4$ ($\varnothing 0.760$). Panel thickness must exceed 1.5mm (0.062"). Ensure o-ring is in place before tightening locknut. Preferably, install pilot valves with solenoid on top. For reliable operation, ensure supply voltage is within -10% and +15% of rated solenoid voltage. Replace components within 1 million cycles (refer to Spare Parts)

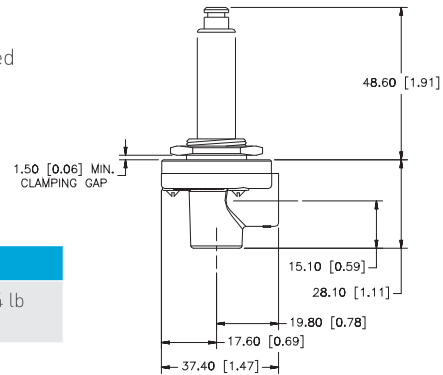
CONSTRUCTION

Body: Aluminium (diecast)
Ferrule: 305 SS
Armature: 430FR SS
Seals: Nitrile or Viton
Locknut: Mild steel zinc passivated
Screws: 302 SS or 304 SS
Clip: Mild steel (plated)

DIMENSIONS AND WEIGHTS

(Dimensions in mm and inches)

| SERIES | WEIGHT |
|------------------------------|-------------------|
| RCA3D0, RCA3D1 (no solenoid) | 0.174 kg/0.384 lb |



PRODUCT PERFORMANCE

| FLOW | MAXIMUM WORKING PRESSURE | MINIMUM WORKING PRESSURE | TEMPERATURE MIN | TEMPERATURE MAX | FLUID MEDIA |
|---------|--------------------------|--------------------------|-----------------|-----------------|-------------|
| 0.32 Cv | 860 kPa | 0 kPa | -40°C | 82°C | Air or |
| 0.27 Kv | 125 psi | 0 psi | -40°F | 180°F | inert gas |

ORDER CODE*

| MODEL | THREAD TYPE | ORIFICE SIZE |
|------------|-------------|----------------|
| RCA3D0-... | 1/8" NPT | 3.2mm (0.126") |
| RCA3D1-... | 1/8" BSPP | 3.2mm (0.126") |

*Please refer to Q Series Solenoid product data sheet on Page 3 for information on electrical characteristics and to complete the order code, e.g. 1/8" NPT pilot valve with 240 VAC solenoid = RCA3D0-300

SUITABLE FOR

All Goyen dust collector diaphragm valves.

SPARE PARTS

K0380 Replacement seal, armature, spring & ferrule kit.
 K0384 As above in viton.

ORDER CODE AND ELECTRICAL CHARACTERISTICS

| MODEL | CONNECTION TYPE | PROTECTION CLASS | VOLTAGE | POWER |
|----------------------------------|---------------------|------------------|--------------------|---------------|
| RCA3D0 Series = 1/8" NPT | | | | |
| RCA3D0-300 | DIN 43650A | IP65 | 200/240 V 50/60 Hz | 17.4/22.6 V A |
| RCA3D0-301 | DIN 43650A | IP65 | 100/120 V 50/60 Hz | 15.2/19.7 V A |
| RCA3D0-302 | DIN 43650A | IP65 | 24 V 50/60 Hz | 23.1/17.2 V A |
| RCA3D0-303 | DIN 43650A | IP65 | 110 V DC | 24 W |
| RCA3D0-304 | DIN 43650A | IP65 | 48 V DC | 20 W |
| RCA3D0-305 | DIN 43650A | IP65 | 24 V DC | 20 W |
| RCA3D0-306 | DIN 43650A | IP65 | 12 V DC | 20 W |
| RCA3D0-310 | Conduit (M20 x 1.5) | IP31 | 200/240 V 50/60 Hz | 17.4/22.6 V A |
| RCA3D0-311 | Conduit (M20 x 1.5) | IP31 | 100/120 V 50/60 Hz | 15.2/19.7 V A |
| RCA3D0-312 | Conduit (M20 x 1.5) | IP31 | 24 V 50/60 Hz | 23.1/17.2 V A |
| RCA3D0-313 | Conduit (M20 x 1.5) | IP31 | 24 V DC | 20 W |
| RCA3D0-314 | Conduit (M20 x 1.5) | IP31 | 12 V DC | 20 W |
| RCA3D0-320 | Conduit (1/2" NPSC) | IP31 | 200/240 V 50/60 Hz | 17.4/22.6 V A |
| RCA3D0-321 | Conduit (1/2" NPSC) | IP31 | 100/120 V 50/60 Hz | 15.2/19.7 V A |
| RCA3D0-322 | Conduit (1/2" NPSC) | IP31 | 24 V 50/60 Hz | 23.1/17.2 V A |
| RCA3D0-323 | Conduit (1/2" NPSC) | IP31 | 24 V DC | 20 W |
| RCA3D0-324 | Conduit (1/2" NPSC) | IP31 | 12 V DC | 20 W |
| RCA3D0-330 | Screw / spade | N/A | 200/240 V 50/60 Hz | 17.4/22.6 V A |
| RCA3D0-331 | Screw / spade | N/A | 100/120 V 50/60 Hz | 15.2/19.7 V A |
| RCA3D0-332 | Screw / spade | N/A | 24 V 50/60 Hz | 23.1/17.2 V A |
| RCA3D0-333 | Screw / spade | N/A | 240 V DC | 24 W |
| RCA3D0-334 | Screw / spade | N/A | 110 V DC | 24 W |
| RCA3D0-335 | Screw / spade | N/A | 48 V DC | 20 W |
| RCA3D0-336 | Screw / spade | N/A | 24 V DC | 20 W |
| RCA3D0-337 | Screw / spade | N/A | 12 V DC | 20 W |
| RCA3D0-340 | Flying Lead | IP64 | 200/240 V 50/60 Hz | 17.4/22.6 V A |
| RCA3D0-341 | Flying Lead | IP64 | 100/120 V 50/60 Hz | 15.2/19.7 V A |
| RCA3D0-342 | Flying Lead | IP64 | 24 V 50/60 Hz | 23.1/17.2 V A |
| RCA3D0-343 | Flying Lead | IP64 | 24 V DC | 20 W |
| RCA3D0-344 | Flying Lead | IP64 | 12 V DC | 20 W |
| RCA3D1 Series = 1/8" BSPP | | | | |
| RCA3D1-300 | DIN 43650A | IP64 | 200/240 V 50/60 Hz | 17.4/22.6 V A |
| RCA3D1-301 | DIN 43650A | IP64 | 100/120 V 50/60 Hz | 15.2/19.7 V A |
| RCA3D1-302 | DIN 43650A | IP64 | 24 V 50/60 Hz | 23.1/17.2 V A |
| RCA3D1-303 | DIN 43650A | IP64 | 110 V DC | 24 W |
| RCA3D1-304 | DIN 43650A | IP64 | 48 V DC | 20 W |
| RCA3D1-305 | DIN 43650A | IP64 | 24 V DC | 20 W |
| RCA3D1-306 | DIN 43650A | IP64 | 12 V DC | 20 W |
| RCA3D1-310 | Conduit (M20 x 1.5) | IP31 | 200/240 V 50/60 Hz | 17.4/22.6 V A |
| RCA3D1-311 | Conduit (M20 x 1.5) | IP31 | 100/120 V 50/60 Hz | 15.2/19.7 V A |
| RCA3D1-312 | Conduit (M20 x 1.5) | IP31 | 24 V 50/60 Hz | 23.1/17.2 V A |
| RCA3D1-313 | Conduit (M20 x 1.5) | IP31 | 24 V DC | 20 W |
| RCA3D1-314 | Conduit (M20 x 1.5) | IP31 | 12 V DC | 20 W |
| RCA3D1-320 | Conduit (1/2" NPSC) | IP31 | 200/240 V 50/60 Hz | 17.4/22.6 V A |
| RCA3D1-321 | Conduit (1/2" NPSC) | IP31 | 100/120 V 50/60 Hz | 15.2/19.7 V A |
| RCA3D1-322 | Conduit (1/2" NPSC) | IP31 | 24 V 50/60 Hz | 23.1/17.2 V A |
| RCA3D1-323 | Conduit (1/2" NPSC) | IP31 | 24 V DC | 20 W |
| RCA3D1-324 | Conduit (1/2" NPSC) | IP31 | 12 V DC | 20 W |
| RCA3D1-330 | Screw / spade | N/A | 200/240 V 50/60 Hz | 17.4/22.6 V A |
| RCA3D1-331 | Screw / spade | N/A | 100/120 V 50/60 Hz | 15.2/19.7 V A |
| RCA3D1-332 | Screw / spade | N/A | 24 V 50/60 Hz | 23.1/17.2 V A |
| RCA3D1-333 | Screw / spade | N/A | 240 V DC | 24 W |
| RCA3D1-334 | Screw / spade | N/A | 110 V DC | 24 W |
| RCA3D1-335 | Screw / spade | N/A | 48 V DC | 20 W |
| RCA3D1-336 | Screw / spade | N/A | 24 VDC | 20 W |
| RCA3D1-337 | Screw / spade | N/A | 12VDC | 20 W |
| RCA3D1-340 | Flying Lead | IP64 | 200/240 V 50/60 Hz | 17.4/22.6 V A |
| RCA3D1-341 | Flying Lead | IP64 | 100/120 V 50/60 Hz | 15.2/19.7 V A |
| RCA3D1-342 | Flying Lead | IP64 | 24 V 50/60 Hz | 23.1/17.2 V A |
| RCA3D1-343 | Flying Lead | IP64 | 24 V DC | 20 W |
| RCA3D1-344 | Flying Lead | IP64 | 12 V DC | 20 W |

Notes: RCA3D0-305 is an RCA3D remote pilot with 1/8" NPT threads and a 24 V DC DIN43650A connection.

RCA3D1-331 is an RCA3D remote pilot with 1/8" BSPP threads and 110/240 V AC spade screw coil.