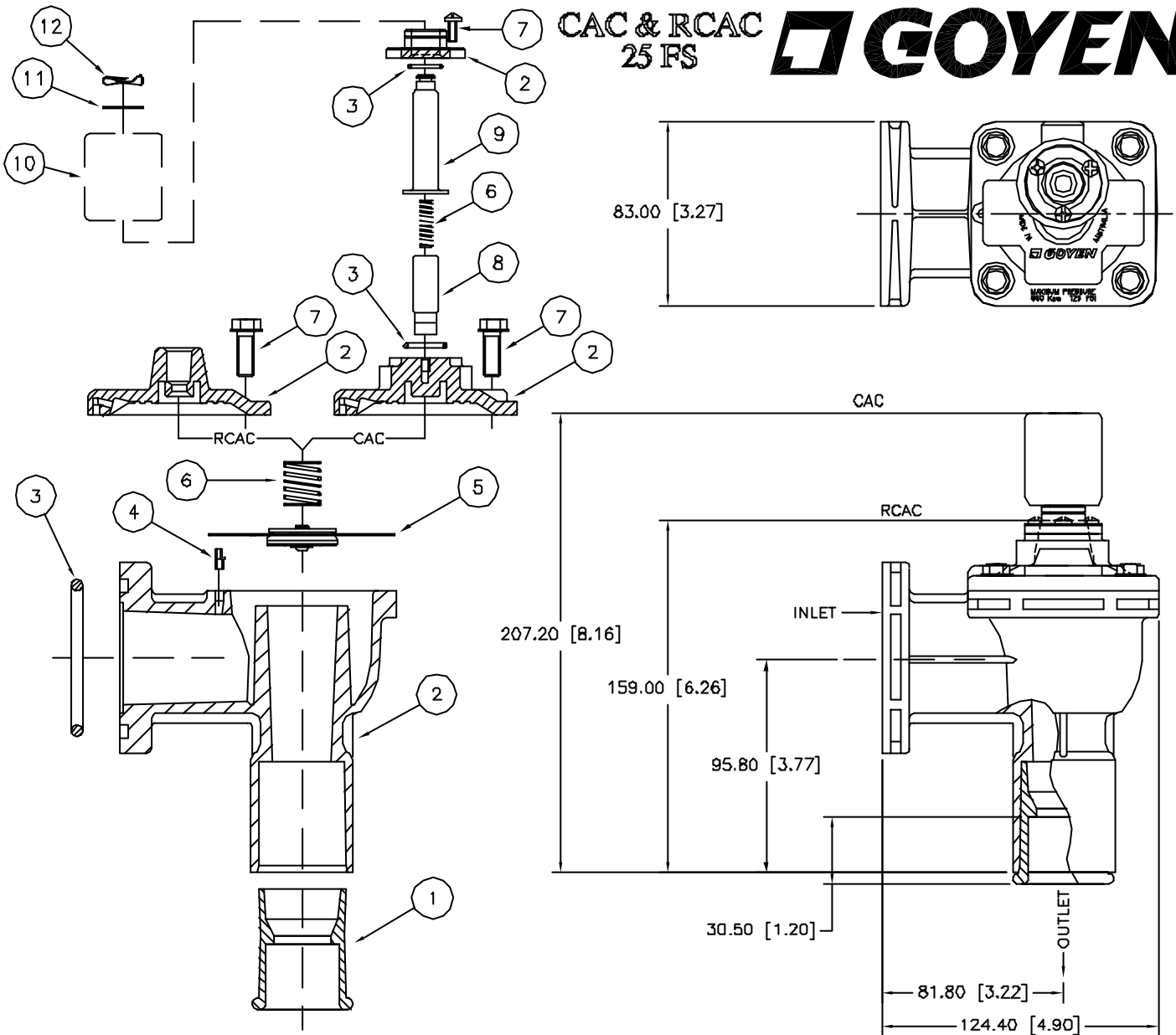


CAC & RCAC
25 FS

GOYEN



MECHANICAL DETAILS

No	DESCRIPTION	STANDARD MATERIAL	PORT OPTIONS	HIGH TEMP MATERIALS	KIT No STANDARD	KIT No HIGH TEMP
1	SLIDE SEAL	EPDM	N/A	VITON	-	-
2	BODY & COVER	ALUM DIE CAST CA313	1 1/2" IN 1" OUT	AS STANDARD	-	-
3	O' RING	NITRILE	N/A	VITON	-	-
4	BLEED PIN	TURNED ALUMINIUM	N/A	AS STANDARD	-	-
5	DIAPHRAGM ASS'Y	BUNA N / NYLON	N/A	VITON	TBA	TBA
6	SPRING	304 STAINLESS STEEL	N/A	AS STANDARD	-	-
7	SCREW	304 STAINLESS STEEL	N/A	AS STANDARD	-	-
8	PLUNGER ASS'Y	430 FR ST/STL	N/A	AS STANDARD	K03B0	-
9	FERRULE/IRON TOP ASS'Y	305 STAINLESS STEEL	N/A	AS STANDARD	K03B0	-
10	COILS	130' RATED NYLON ENCAPSULATION	QD -1/2 NPSC -M20x1.5	N/A	QR-K030-K0309 QD(M)-K0310-K0319 QD(N)-K0320-K0329	N/A
11	WASHER	PRESSED ALUMINIUM	N/A	AS STANDARD	-	-
12	CLIP	MECH PLATED STEEL	N/A	AS STANDARD	-	-

ELECTRICAL DETAILS

COIL VOLTAGE	200/240 VAC, 100/120 VAC, 24 VAC, 24 VDC, 12 VDC
COIL CONNECTION	QR - DIN CONNECTION QD CONDUIT ENTRY

WEIGHTS

UNIT WEIGHT	RCA = 0.920 Kg CA = 1.145 Kg
-------------	------------------------------

DOC No	CAS_DG_25FS
REVISION No	2
ISSUE DATE	17.7.2002