

RCAC20T4 Series Pulse Jet Valves



Description

High performance diaphragm valve with threaded ports. Equipped with "Shockwave" springless diaphragm, the 4 series valves are available as remote pilot valves and may be converted to an integral pilot using either the RCA3DM or RCA3PV screw in pilots. Outlet is at 90° to inlet.

Suitable for

Dust collector applications, in particular for reverse pulse jet filter cleaning and its variations including bag filters, cartridge filters and envelope filters.

Construction

Body: Aluminium (diecast)
Screws: 302 Stainless Steel
Seals: Nitrile or Viton
Diaphragm: Proprietary high performance engineering thermoplastic Elastomer

Operation

Recommended on time range:
50-500ms

Recommended time between pulses: 1 minute or greater

Maintenance

Diaphragm and pilot unit inspection should be conducted annually.

Approvals

The RCAC20T4 meets the requirements of the European Electromagnetic Compatibility (EMC). Directive 2004/108/EC and Low Voltage Directive 2006/95/EC, when fitted with the RCA3PV pilot.

Please Note: Pipes must be to Schedule 40 outside diameter.

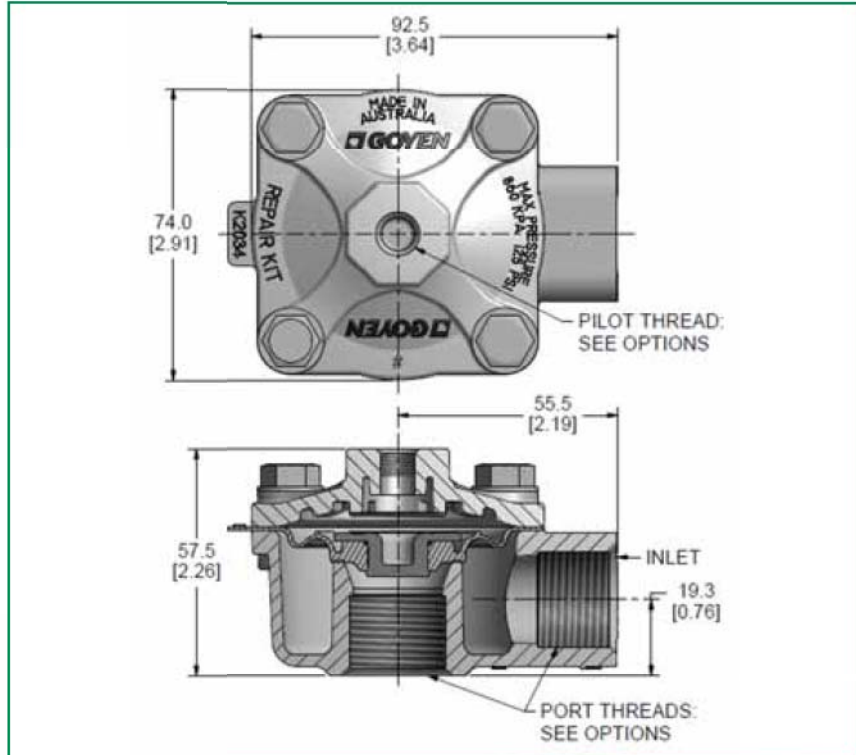
Schedule 40 Size	OD mm	OD Inches
3/4"	26.67	1.05

Weights

Valve	Kg (lbs)
RCAC20T4	0.31 (0.68)

Dimensions

(Dimensions in mm and [inches])



Maintenance Kits

Model	Nitrile	Shockwave	Viton
Diaphragm Kit			
RCAC20T4	NA	K2034	K2033

Product Characteristics and Performance

Port Size mm (in)	No. of Diaph.	Flow Kv (Cv)	Pressure Range kPA(Psi)	Temperature Range °C (°F)	
				Shockwave	Viton Seals
20 (3/4)	1	14 (17)	30(5) – 860(125)	-40(-40) – 82(179.6)	-29(-20.2) – 232(449.6)

Order Code



Examples: RCAC20T4012
3/4" threaded valve with 1/8" pilot, 3/4" RC port threads,
Shockwave diaphragm.

Note:
1/8 Pilot available in NPT & RC Thread
1/4 Pilot is only available in G Thread