

**RCAC25DD4 Series Pulse Jet Valves**



**Description**

High performance diaphragm valve with dresser nut ports. Equipped with 'Shockwave' springless diaphragm, the 4 series valves are available as remote pilot valves and may be converted to integral pilot using either the RCA3DM or RCA3PV screw in pilots. Outlet is at 90° to inlet.

**Suitable for**

Dust collector applications, in particular for reverse pulse jet filter cleaning and its variations including bag filters, cartridge filters and envelope filters.

**Construction**

**Body and Dresser**

**Nuts:** Aluminium (diecast)

**Screws:** 302 Stainless Steel

**Dresser Nut Seals:** Nitrile or Viton

**Diaphragm:** High performance engineering thermoplastic elastomer.

**Operation**

**Recommended on time range:** 50-500ms

**Recommended time between pulses:** 1 minute or greater

**Maintenance**

Diaphragm and pilot inspection should be conducted annually.

**Approvals**

The RCAC25DD4 meets the requirements of the European Electromagnetic Compatibility (EMC). Directive 2004/108/EC and Low Voltage Directive 2006/95/EC, when fitted with the RCA3PV pilot.

**Please Note:** Pipes must be to Schedule 40 outside diameter.

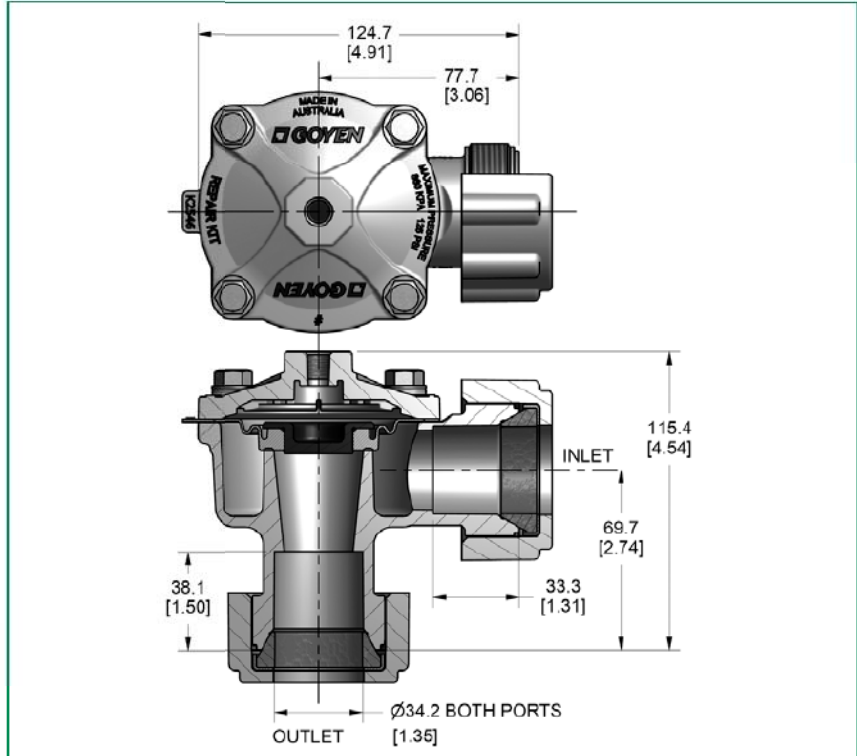
Schedule 40 Size	OD mm	OD Inches
1"	33.4	1.315

**Weights**

Valve	Kg (lbs)
RCAC25DD4	0.96 (2.12)

**Dimensions**

(Dimensions in mm and [inches])



**Maintenance Kits**

Model	Nitrile	Shockwave	Viton
Diaphragm Kit RCAC25DD4	NA	K2546	K2551
Dresser Seal Kit CA/RCA25DD	K2508	NA	K2507

**Product Characteristics and Performance**

Port Size mm (in)	No. of Diaph.	Flow Kv (Cv)	Pressure Range kPA(Psi)	Temperature Range °C (°F)	
				Shockwave	Viton Seals
25 (1)	1	22.5 (26.0)	30(5) – 860(125)	-40(-40) – 82(179.6)	-29(-20.2) – 232(449.6)

**Order Code**



Examples: RCAC25DD4012  
1" dresser nut valve with 1/8" pilot, 1" RC port threads, Shockwave diaphragm.

Note:  
1/8 Pilot available in NPT & RC Thread  
1/4 Pilot is only available in G Thread